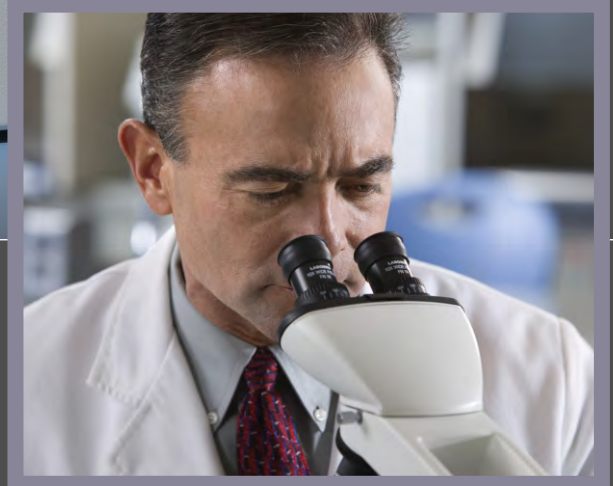


Vision 2000

Lab Microscopy



LABOMED
ideas for vision

Making great discoveries possible



1 Well corrected eyepieces with dual diopter adjustments provide a complete and even field of view as well as added convenience.

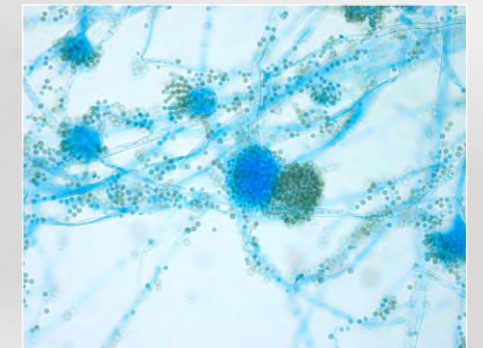
2 LP series Semi-Plan Achromatic objectives deliver true image rendition and sharp contrast throughout the region of interest.

3 An efficient 6V20W Halogen illumination system delivers a full range of light intensity to illuminate all specimens at high magnifications. An LED option is also available. A heat isolation hand rest provides comfort.

Vision 2000

A truly versatile microscope is now available in a highly ergonomic package. Designed for modern labs, this routine microscope delivers high caliber performance and economy, offering the greatest advantages in its class. With its meticulously designed optical system, the Vision 2000 delivers rich and vivid images for a diverse range of specimens.

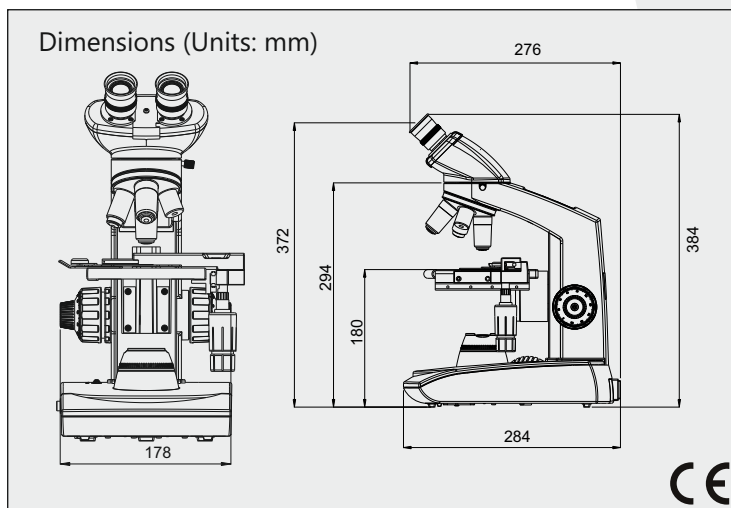
And with a compact footprint, this workhorse will never monopolize your lab space. Plus, with its lead free paint and optical components, Vision 2000 is an excellent solution for the environmentally conscious.



Vision 2000 Lab Microscope

Item	Specifications
- Stand	Sturdy stand with antirust, antibacterial materials. Heat isolating handrests
- Viewing Bodies	45° inclined, 360° rotatable dovetail, Inter pupillary distance 54 - 74mm
- Eyepiece	Wide field focusable paired eyepieces* 10x/18mm with foldable eye guard, lockable, antifungal
- Nosepiece	Quadruple Nosepiece (Ball bearing type) with rubber grip, click stop for exact position
- Objectives	LP series DIN Semi Plan Achromatic objectives* 4x, 10x, 40x (spring loaded), 100x (spring loaded, oil), anti fungal
- Mechanical stage	Rectangular stage size 135 x 124mm, X/Y travel range 76mm x 50mm, low drive movement controls, single specimen holder
- Condenser	Sub stage Abbe condenser NA 1.25 with aspheric lens*, iris diaphragm with snap-in blue filter. Rack and pinion movements on metal guides
- Focusing	Co-axial coarse and fine focusing on ball drive system for smooth operation, fine drive movement 0.2mm/division, tension adjustment for torque control
- Illumination	LED [†] or Halogen 6V-20W illumination with variable illumination control. Up to 100,000 hours of LED life and 2,000 hours of Halogen lamp life
- Electricals	Universal input 110V / 220V AC, 50/60Hz. Built in voltage stabilizer
- Optional accessories	Phase contrast kit with 10x and 40x LP series Phase objective, Polarizing kit, Dark field kit, Green Filter and daylight mirror attachment.

Specifications



Configurations

Description	Configuration	Cat. No.
Halogen Standard	Binocular	5131000
LED[#] Standard	Binocular	5132000

Standard configurations come with 4x, 10x, 40x (SL) and 100x (SL, Oil) objectives.
[†] LED version is with rechargeable battery and detachable power cord.
 * All optical components are made of environment friendly LEAD free optical glass.

Labo America, Inc.

920 Auburn Court
 Fremont, CA 94538
 U.S.A.

Tel: (510) 445-1257
 Fax: (510) 991-9862
 Email: sales@laboamerica.com



laboamerica.com

Distributor